

INSTALLATION

It is recommended to assemble the tip onto the body before installing it on the shank, and install this assembly onto the shank before you bolt on the fertilizer tube. This will allow you to use an impact wrench to install your openers making assembly quicker and easier.

- Refer to the diagram below to see the install locations of the tip, fertilizer tube and other hardware.
- Ensure that the fertilizer tube is installed on the correct side of the mounting tab, located on the body, so the tube is centered to the body.
- Install the tip as per the orientation on the diagram and with the writing upright.
- Use an impact wrench if possible to tighten the shank bolts during the initial install and torque them to 100 ft-lb. After 4 hours of use it is recommended that you ensure all bolts are still tight and re-torque to 100 ft-lb. This should prepare you for the season.
- Dutch lock nuts have been provided which have a stainless steel insert as opposed to the synthetic insert found in common lock nuts. This will help keep your hardware in place through any condition more effective than a standard lock nut.
- When running sideband openers, you will require an equal number of left and right openers, unless your machine is equipped with an odd number of shanks. When seeding on hill sides, it is recommended that left openers should be installed on the left side of the drill and right openers should be installed on the right side of the drill. This will ensure your drill runs true. If farming on relatively flat land, the tips can be installed with the left openers on the right side and the right openers on the left side of the drill. This will also ensure the drill runs true and prevents plugging while the drill is turning.

USING SHIMS

Why is the operating angle important?

If your equipment is not running at the designed operating angle of 50°, complications may arise such as plugging, excessive breakage, premature wear, or poor seed placement.

How do I know if my shank is 50°?

Ensure that the drill is level and place a piece of flat bar between the two holes at the bottom of the shank. Place a simple angle finder across the piece of flat bar. This angle is the operating angle of your shank.

What do I do if my shank is not 50°?

Shims are available and can be used to alter the operating angle of your equipment. These shims are available in 3°, 4° and 7°. If you are running too steep, place the shim in the bottom bolt hole to raise the tip of the opener. If you are running too flat, place the shim in the top bolt hole to lower the tip of the opener.



6827 (3°)

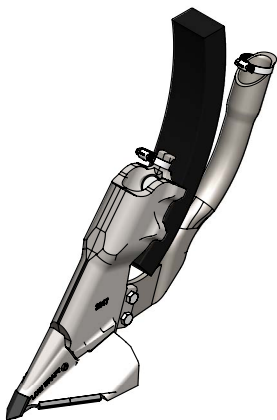


6826 (4°)

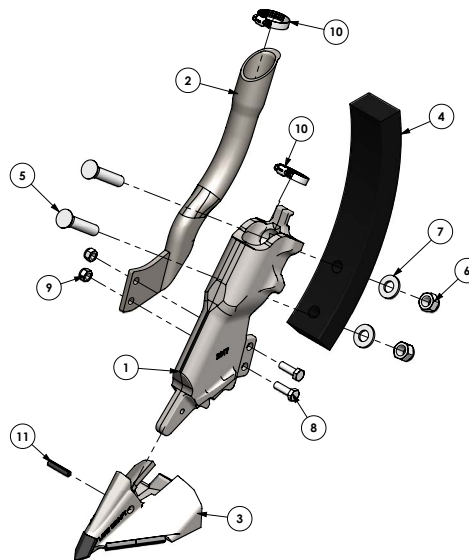


FAKN369 (7°)

ASSEMBLED VIEW



EXPLODED VIEW



PART LIST

ITEM	QTY	PART #	PRODUCT
1	1	2817 or 2835	Universal C-Shank Body
2	1		Universal Fertilizer Tube
3	1		Universal Tip / Point
4	1		50° C-Shank / Tyne
5	2	111029	Plow Bolt, 1/2 X 2 1/2 GR8
6	2	111014	Dutch Lock Nut, 1/2
7	2	111015	Sae Flat Washer, 1/2
8	2	HH5161PLC5	Hex Bolt, 5/16 x 1
9	2	111027	Dutch Lock Nut, 5/16
10	2	HC114	#20 Hose Clamp, 1/2 - 1 1/2
11	1	RP14114	Roll Pin

This information is made available to the public by Dutch Openers solely as a guide for the installation of openers. Dutch Openers Ltd. assumes no legal liability or responsibility for the accuracy, completeness, or usefulness of any information contained in this document and as a result holds no legal liability or responsibility for damages or losses resulting from the use of this information. Dutch Openers reserves the right to change and improve its products as seen fit. This information describes the condition of this product at the time of its printing and may not reflect the product at all times in the future.