

INSTALLATION

CONTACT DETAILS

It is recommended to assemble the tip and tube onto the body before installing it on the shank. This will make your assembly quicker and easier.

- Refer to the diagram below to see the install locations of the tip, fertilizer tube and other hardware.
- Ensure that the fertilizer tube is installed on the correct side of the mounting tab, located on the body, so the tube is centered to the body.
- Install the tip as per the orientation on the diagram and with the writing upright.
- Use an impact wrench if possible to tighten the shank bolts during the initial install and torque them to 120 ft-lb. After 4 hours of use it is recommended that you ensure all bolts are still tight and re-torque to 120 ft-lb. This should prepare you for the season.
- When running sideband openers, you will require an equal number of left and right openers, unless your machine is equipped with an odd number of shanks. When seeding on hill sides, it is recommended that left openers should be installed on the left side of the drill and right openers should be installed on the right side of the drill. This will ensure your drill runs true. If farming on relatively flat land, the tips can be installed with the left openers on the right side and the right openers on the left side of the drill. This will also ensure the drill runs true and prevents plugging while the drill is turning.

HEAD OFFICE

Dutch Openers
P.O. Box 568-500 Portico Drive
Pilot Butte, SK Canada S0G 3Z0
sales@dutchopeners.com

1.800.663.8824
1.800.66.DUTCH
1.306.781.4820
Fax 306.781.4877



CANADIAN TERRITORY MANAGERS

Northern Alberta
A.J. Dumais
Cell 780.632.1919
ajdumais@dutchopeners.com

Southern Alberta
Terence Peatman
Cell 403.501.1998
tpeatman@dutchopeners.com

Northern Saskatchewan
& Northern Manitoba
Wayne Nickel
Cell 306.921.7715
wnickel@dutchopeners.com

Southern Saskatchewan
& Southern Manitoba
Jason Steinley
Cell 306.551.7171

USA AND AUSTRALIA TERRITORY MANAGERS

USA Eastern
Tom Wible – ND, SD, MT
Cell 605.360.4385
twible@dutchopeners.com

USA Western
Terence Peatman – WA, OR, ID
Cell 403.501.1998
tpeatman@dutchopeners.com

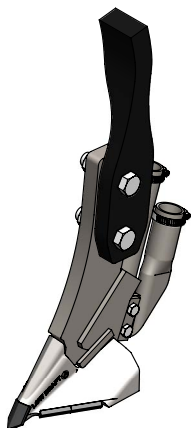
Australia
Rogan Milatz
AU 0459 121 807
rmilatz@dutchopeners.com

AUSTRALIA DISTRIBUTOR

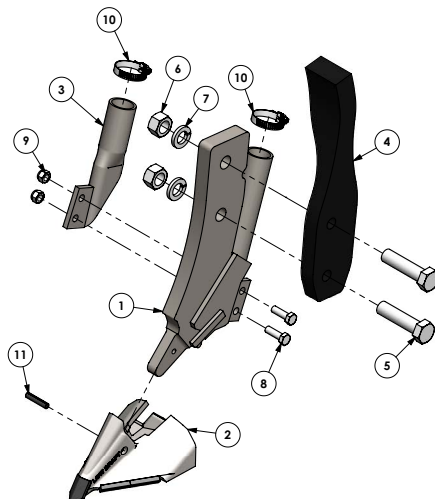
Beulah Machinery
AU 02 6341 3270

USA AND AUSTRALIA ORDERS
sales@dutchopeners.com
Canadian Office 1.306.781.4820

ASSEMBLED VIEW



EXPLODED VIEW



PART LIST

ITEM	QTY	PART #	PRODUCT
1	1	2858	Universal Horsch Anderson Body
2	1		Universal Tip / Point
3	1		Universal Fertilizer Tube
4	1		Horsch Anderson Shank / Tyne
5	2	HH58212PLC8	Hex Bolt, 5/8 X 2 1/2 GR8
6	2	HN58PLC5	Hex Nut, 5/8
7	2	LW58PL	Lock Washer, 5/8
8	2	HH5161PLC5	Hex Bolt, 5/16 x 1
9	2	111027	Dutch Lock Nut, 5/16
10	2	HC114	#20 Hose Clamp, 1/2 - 1 1/2
11	1	RP14114	Roll Pin

This information is made available to the public by Dutch Openers solely as a guide for the installation of openers. Dutch Openers Ltd. assumes no legal liability or responsibility for the accuracy, completeness, or usefulness of any information contained in this document and as a result holds no legal liability or responsibility for damages or losses resulting from the use of this information. Dutch Openers reserves the right to change and improve its products as seen fit. This information describes the condition of this product at the time of its printing and may not reflect the product at all times in the future.