

INSTALLATION

It is recommended to assemble the opener components together before installing it on the shank. This will make assembly quicker and easier.

- Refer to the diagram below to see the install locations of the tip, seed tube and other hardware.
- Install the tip as per the orientation on the diagram.
- Use an impact wrench if possible to tighten the shank bolts during the initial install and torque them to 100 ft-lb. After 4 hours of use it is recommended that you ensure all bolts are still tight and re-torque to 100 ft-lb. This should prepare you for the season.
- Tighten the seed and fertilizer tube bolts during the initial install and torque them to 45 ft-lb.
- Dutch lock nuts have been provided which have a stainless steel insert as opposed to the synthetic insert found in common lock nuts. This will help keep your hardware in place through any condition more effective than a standard lock nut.
- Ensure that Hose Clamp nuts are facing forward so that the hose clamps bite into the plastic hose. This will prevent the hose clamps from sliding off.

CONTACT DETAILS

HEAD OFFICE

Dutch Openers
P.O. Box 568-500 Portico Drive
Pilot Butte, SK Canada S0G 3Z0
sales@dutchopeners.com

1.800.663.8824
1.800.66.DUTCH
1.306.781.4820
Fax 306.781.4877



CANADIAN TERRITORY MANAGERS

Northern Alberta
A.J. Dumais
Cell 780.632.1919
ajdumais@dutchopeners.com

Southern Alberta
Terence Peatman
Cell 403.501.1998
tpeatman@dutchopeners.com

Northern Saskatchewan
& Northern Manitoba
Wayne Nickel
Cell 306.921.7715
wnickel@dutchopeners.com

Southern Saskatchewan
& Southern Manitoba
Jason Steinley
Cell 306.551.7171
jsteinley@dutchopeners.com

USA AND AUSTRALIA TERRITORY MANAGERS

USA Eastern
Tom Wible – ND, SD, MT
Cell 605.360.4385
twible@dutchopeners.com

USA Western
Terence Peatman – WA, OR, ID
Cell 403.501.1998
tpeatman@dutchopeners.com

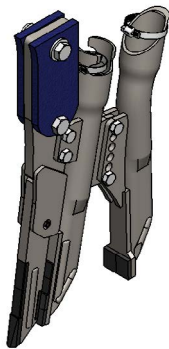
Australia
Rogan Milatz
AU 0459 121 807
rmilatz@dutchopeners.com

AUSTRALIA DISTRIBUTOR

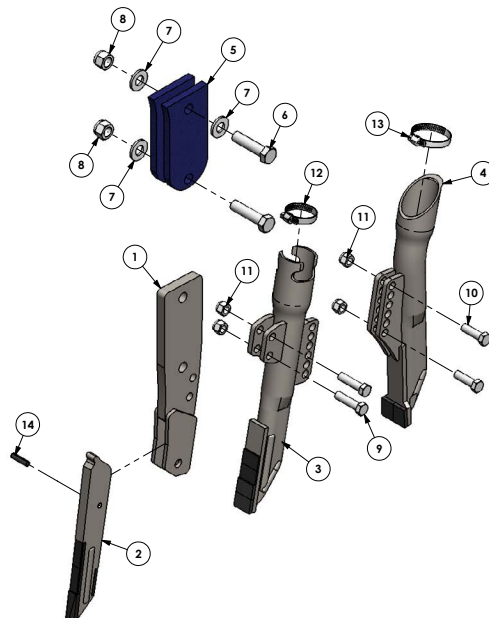
Beulah Machinery
AU 02 6341 3270
dutch@beulahmachinery.com.au

USA AND AUSTRALIA ORDERS
sales@dutchopeners.com
Canadian Office 1.306.781.4820

ASSEMBLED VIEW



EXPLODED VIEW



PART LIST

ITEM	QTY	PART #	PRODUCT
1	1		Outlaw Body
2	1		Outlaw Tip / Point
3	1		Outlaw Seed/Fert. Tube
4	1		Outlaw Seed Tube
5	1		Morris Contour 1 Shank / Tyne
6	2	HH122PLC8	Hex Bolt, 1/2 X 2 GR8
7	3	111015	Sae Flat Washer, 1/2
8	2	111014	Dutch Lock Nut, 1/2
9	2	HH38112PLC8	Hex Bolt, 3/8 x 1 1/2 GR8
10	2	HH38114PLC8	Hex Bolt, 3/8 x 1 1/4 GR8
11	4	LN38C	Dutch Lock Nut, 3/8
12	2	HC114	#20 Hose Clamp, 1/2 - 1 1/2
13	1	RP14114	Roll Pin

This information is made available to the public by Dutch Openers solely as a guide for the installation of openers. Dutch Openers Ltd. assumes no legal liability or responsibility for the accuracy, completeness, or usefulness of any information contained in this document and as a result holds no legal liability or responsibility for damages or losses resulting from the use of this information. Dutch Openers reserves the right to change and improve its products as seen fit. This information describes the condition of this product at the time of its printing and may not reflect the product at all times in the future.