

## INSTALLATION

## CONTACT DETAILS

It is recommended to pre-assemble all components onto the body before installing it on the shank. This will make assembly quicker and easier.

- Refer to the diagram below to see the install locations of the tip, and other hardware.
- Install the tip as per the orientation on the diagram.
- Use an impact wrench if possible to tighten the shank bolts during the initial install. Torque the bolts for the Shank to 45 ft-lbs. After 4 hours of use it is recommended that you ensure all bolts are still tight and re-torque the bolts to 45 ft-lb. This should prepare you for the season.

### HEAD OFFICE

Dutch Openers  
P.O. Box 568-500 Portico Drive  
Pilot Butte, SK Canada S0G 3Z0  
sales@dutchopeners.com

1.800.663.8824  
1.800.66.DUTCH  
1.306.781.4820  
Fax 306.781.4877



### CANADIAN TERRITORY MANAGERS

Northern Alberta  
A.J. Dumais  
Cell 780.632.1919  
ajdumais@dutchopeners.com

Southern Alberta  
Terence Peatman  
Cell 403.501.1998  
tpeatman@dutchopeners.com

Northern Saskatchewan  
& Northern Manitoba  
Wayne Nickel  
Cell 306.921.7715  
wnickel@dutchopeners.com

Southern Saskatchewan  
& Southern Manitoba  
Jason Steinley  
Cell 306.551.7171  
jsteinley@dutchopeners.com

### USA AND AUSTRALIA TERRITORY MANAGERS

USA Eastern  
Tom Wible – ND, SD, MT  
Cell 605.360.4385  
twible@dutchopeners.com

USA Western  
Terence Peatman – WA, OR, ID  
Cell 403.501.1998  
tpeatman@dutchopeners.com

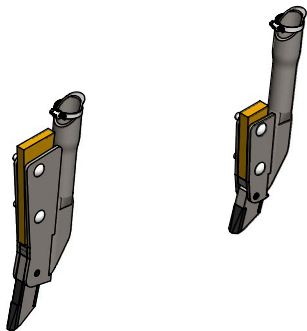
Australia  
Rogan Milatz  
AU 0459 121 807  
rmilatz@dutchopeners.com

### AUSTRALIA DISTRIBUTOR

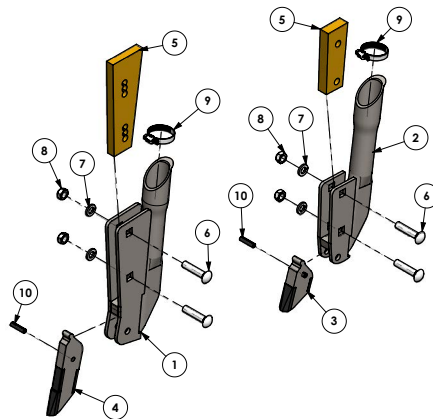
Beulah Machinery  
AU 02 6341 3270  
dutch@beulahmachinery.com.au

USA AND AUSTRALIA ORDERS  
sales@dutchopeners.com  
Canadian Office 1.306.781.4820

## ASSEMBLED VIEW



## EXPLODED VIEW



## PART LIST

ITEM	QTY	PART #	PRODUCT
1	1		Seed Master Fertilizer Body
2	1		Seed Master Seed Body
3	1		Seed Master Seed Tip / Point
4	1		Seed Master Fertilizer Tip / Point
5	1		Seed Master Shank / Tyne
6	4	CB38134PLC8	Carriage Bolt, 3/8 X 1 3/4 GR8
7	4	LW38PL	Lock Washer, 3/8
8	4	CN38PL	Cleave Nut, 3/8
9	2	HC114	#20 Hose Clamp, 1/2 - 1 1/2
10	2	RP141	Roll Pin

This information is made available to the public by Dutch Openers solely as a guide for the installation of openers. Dutch Openers Ltd. assumes no legal liability or responsibility for the accuracy, completeness, or usefulness of any information contained in this document and as a result holds no legal liability or responsibility for damages or losses resulting from the use of this information. Dutch Openers reserves the right to change and improve its products as seen fit. This information describes the condition of this product at the time of its printing and may not reflect the product at all times in the future.