

INSTALLATION

CONTACT DETAILS

- Refer to the diagram below to see the install locations of the tip and other hardware.
- Install the tip as per its orientation on the diagram and with the writing upright.
- Use an impact if possible to tighten the shank bolts during the initial install and torque them to 100 ft-lb. After 4 hours of use it is recommended that you ensure all bolts are still tight and re-torque to 100 ft-lb. This should prepare you for the season.
- Dutch lock nuts have been provided which have a stainless steel insert as opposed to the synthetic insert found in common lock nuts. This will help your hardware in place through any condition longer and better than a standard lock nut.

**** HELPFUL HINT ****

It is recommended to install the tip before installing the opener onto the shank. This will make assembly quicker and easier.

HEAD OFFICE

Dutch Openers
P.O. Box 568-500 Portico Drive
Pilot Butte, SK Canada S0G 3Z0
sales@dutchopeners.com

1.800.663.8824
1.800.66.DUTCH
1.306.781.4820
Fax 306.781.4877



**CANADIAN
TERRITORY MANAGERS**

Northern Alberta
A.J. Dumais
Cell 780.632.1919
ajdumais@dutchopeners.com

Southern Alberta
Terence Peatman
Cell 403.501.1998
tpeatman@dutchopeners.com

Northern Saskatchewan
& Northern Manitoba
Wayne Nickel
Cell 306.921.7715
wnickel@dutchopeners.com

Southern Saskatchewan
& Southern Manitoba
Jason Steinley
Cell 306.551.7171
jsteinley@dutchopeners.com

**USA AND AUSTRALIA
TERRITORY MANAGERS**

USA Eastern
Tom Wible – ND, SD, MT
Cell 605.360.4385
twible@dutchopeners.com

USA Western
Terence Peatman – WA, OR, ID
Cell 403.501.1998
tpeatman@dutchopeners.com

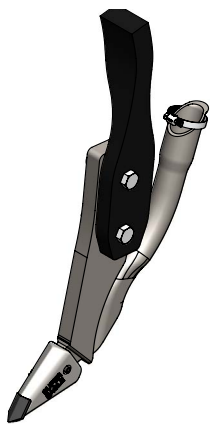
Australia
Rogan Milatz
AU 0459 121 807
rmilatz@dutchopeners.com

AUSTRALIA DISTRIBUTOR

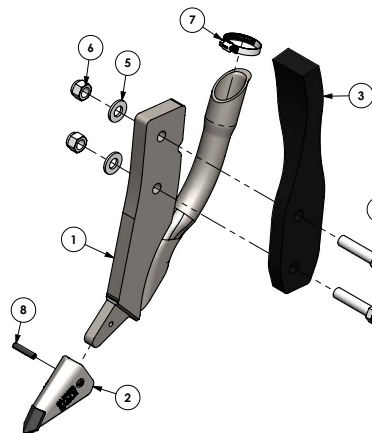
Beulah Machinery
AU 02 6341 3270
dutch@beulahmachinery.com.au

USA AND AUSTRALIA ORDERS
sales@dutchopeners.com
Canadian Office 1.306.781.4820

ASSEMBLED VIEW



EXPLODED VIEW



PART LIST

| ITEM | QTY | PART # | PRODUCT |
|------|-----|-------------|----------------------------------|
| 1 | 1 | | Super Eagle CNH 84° Edge-On Body |
| 2 | 1 | | Super Eagle Tip / Point |
| 3 | 1 | | 84° Edge-On Shank / Tyne |
| 4 | 2 | HH12214PLC8 | Hex Bolt, 1/2 X 2 1/4 GR8 |
| 5 | 2 | 111015 | Sae Flat Washer, 1/2 |
| 6 | 2 | 111014 | Dutch Lock Nut, 1/2 |
| 7 | 1 | HC114 | #20 Hose Clamp, 1/2 - 1 1/2 |
| 8 | 1 | RP14114 | Roll Pin |
| | | | |
| | | | |
| | | | |
| | | | |
| | | | |

This information is made available to the public by Dutch Openers solely as a guide for the installation of openers. Dutch Openers Ltd. assumes no legal liability or responsibility for the accuracy, completeness, or usefulness of any information contained in this document and as a result holds no legal liability or responsibility for damages or losses resulting from the use of this information. Dutch Openers reserves the right to change and improve its products as seen fit. This information describes the condition of this product at the time of its printing and may not reflect the product at all times in the future.