

**INSTALLATION**

- Refer to the diagram below to see the install locations of the hardware.
- During the initial install, torque the shank bolts to 100 ft-lb. After 4 hours of use it is recommended that you ensure all bolts are still tight and re-torque to 100 ft-lb. This should prepare you for the season.
- Dutch lock nuts have been provided which have a stainless steel insert as opposed to the synthetic insert found in common lock nuts. This will help keep your hardware in place through any condition longer and better than a standard lock nut.

**USING SHIMS**

**Why is the operating angle important?**

If your equipment is not running at the designed operating angle of 50°, complications may arise such as plugging, excessive breakage, premature wear, or poor seed placement.

**How do I know if my shank is 50°?**

Ensure that the drill is level and place a piece of flat bar between the two holes at the bottom of the shank. Place a simple angle finder across the piece of flat bar. This angle is the operating angle of your shank.

**What do I do if my shank is not 50°?**

Shims are available and can be used to alter the operating angle of your equipment. These shims are available in 3°, 4° and 7°. If you are running too steep, place the shim in the bottom bolt hole to raise the tip of the opener. If you are running too flat, place the shim in the top bolt hole to lower the tip of the opener.



6827 (3°)

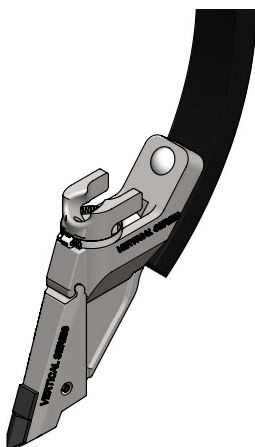


6826 (4°)

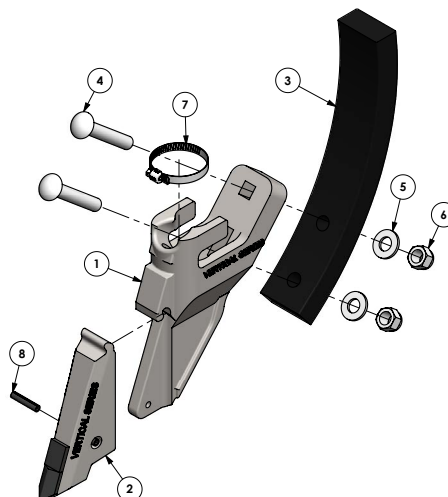


FAKN369 (7°)

**ASSEMBLED VIEW**



**EXPLODED VIEW**



**PART LIST**

ITEM	QTY	PART #	PRODUCT
1	1		Vertical C-Shank Body
2	1		Vertical Tip / Point
3	1		50° C-Shank / Tyne
4	2	CB12314PLC8	Carriage Bolt, 1/2 X 3 1/4 GR8
5	2	111015	Sae Flat Washer, 1/2
6	2	111014	Dutch Lock Nut, 1/2
7	1	HC2	#32 Hose Clamp, 1 1/2 -2 1/2
8	1	RP14114	Roll Pin

This information is made available to the public by Dutch Openers solely as a guide for the installation of openers. Dutch Openers Ltd. assumes no legal liability or responsibility for the accuracy, completeness, or usefulness of any information contained in this document and as a result holds no legal liability or responsibility for damages or losses resulting from the use of this information. Dutch Openers reserves the right to change and improve its products as seen fit. This information describes the condition of this product at the time of its printing and may not reflect the product at all times in the future.