

INSTALLATION

It is recommended to assemble the tip into the body before installing it on the shank, and install this assembly onto the shank before you attach the tube. This will allow you to use an impact wrench to install your openers making assembly quicker and easier.

- Refer to the diagram below to see the install locations of the tip, tube, and other hardware
- Install the tip as per the orientation on the diagram
- Use an impact wrench if possible to tighten the shank bolts during the initial install. Torque the 1/2" bolts to 100 ft-lb and the 7/16" bolt to 50 ft-lb. After 4 hours of use it is recommended that you ensure all bolts are still tight and re-torqued. This should prepare you for the season
- Install the tube as per the orientation on the diagram

USING SHIMS

Why is the operating angle important?

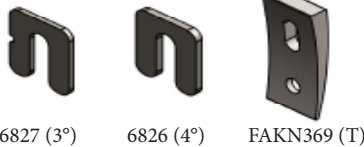
If your equipment is not running at the designed operating angle of 50°, complications may arise such as plugging, excessive breakage, premature wear, or poor seed placement.

How do I know if my shank is 50° ?

Ensure that the drill is level and place a piece of flat bar between the two holes at the bottom of the shank. Place a simple angle finder across the piece of flat bar. This angle is the operating angle of your shank.

What do I do if my shank is not 50° ?

Shims are available and can be used to alter the operating angle of your equipment. These shims are available in 3°, 4° and 7°. If you are running too steep, place the shim in the bottom bolt hole to raise the tip of the opener. If you are running too flat, place the shim in the top bolt hole to lower the tip of the opener.



CONTACT DETAILS

HEAD OFFICE

Dutch Openers
P.O. Box 568-500 Portico Drive
Pilot Butte, SK Canada SOG 3Z0
sales@dutchopeners.com

1.800.663.8824
1.800.66.DUTCH
1.306.781.4820
Fax 306.781.4877



CANADIAN AGRICULTURAL TERRITORY MANAGERS

**Northern Alberta
& British Columbia**
Chris Lupul
Cell 780.632.1919
clupul@dutchopeners.com

Southern Alberta
Terence Peatman
Cell 403.501.1998
tpeatman@dutchopeners.com

**Northern Saskatchewan
& Northern Manitoba**
Connor Bohachewski
Cell 306.921.7715
cbohachewski@dutchopeners.com

**Southern Saskatchewan
& Southern Manitoba**
Andrew Sanderson
Cell 306.551.7171
asanderson@dutchopeners.com

USA AGRICULTURAL TERRITORY MANAGERS

USA Eastern
Tom Wible (ND, SD, MT, NE, MN, WI)
Cell 605.360.4385
twible@dutchopeners.com

USA Western
Terence Peatman (WA, OR, ID)
Cell 403.501.1998
tpeatman@dutchopeners.com

AUSTRALIA DISTRIBUTOR

Beulah Machinery
AU 02 6341 3270
dutch@beulahmachinery.com.au
www.beulahmachinery.com.au

FRANCE DEALER

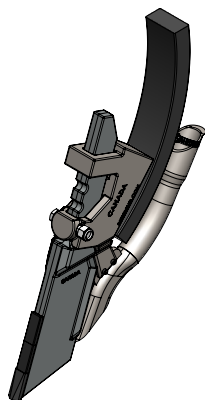
Kiwi Agronomy SAS
FR +33 (0)6.2.76.69.06
kiwiagronomy@gmail.com
www.kiwiagronomy.fr/shop

UK DEALERS

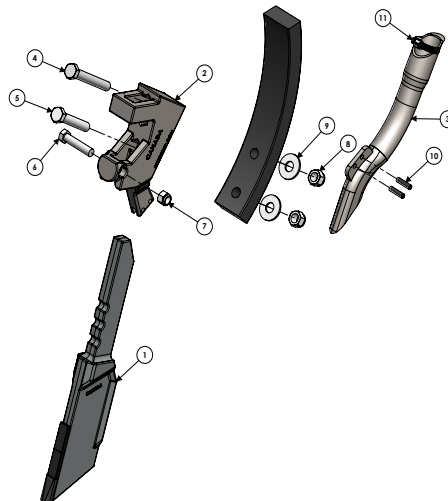
Pan Anglia Ltd.
UK 01787 242740
sales@pananglia.com
www.pananglia.com

Spaldings Ltd.
UK 01522 500600
agsales@spaldings.co.uk
www.spaldings.co.uk

ASSEMBLED VIEW



EXPLODED VIEW



PART LIST

ITEM	QTY	PART #	PRODUCT
1	1	3405	Bandit Knife
2	1	3402	Bandit C-Shank Body
3	1	3440	1 1/4" Granular Tube
4	1	HH12312PLC8	Hex Bolt, 1/2" X 3 1/2", GR8
5	1	HH12234PLC8	Hex Bolt, 1/2" X 2 3/4", GR8
6	1	HH7162PLC5	Hex Bolt, 7/16" X 2" GR5
7	1	CN716PL	Cleave Nut, 7/16"
8	2	111014	Lock Nut, 1/2"
9	2	111015	Flat Washer, 1/2"
10	2	RP141	Roll Pin, 1/4" X 1"
11	1	HC114	#20 Hose Clamp, 1/2" - 1 1/2"

This information is made available to the public by Dutch Openers solely as a guide for the installation of openers. Dutch Openers Ltd. assumes no legal liability or responsibility for the accuracy, completeness, or usefulness of any information contained in this document and as a result holds no legal liability or responsibility for damages or losses resulting from the use of this information. Dutch Openers reserves the right to change and improve its products as seen fit. This information describes the condition of this product at the time of its printing and may not reflect the product at all times in the future.