

INSTALLATION

These instructions are for drills manufactured prior to 2016. For 2016 and newer drills, there is only adjustment on one end. As explained below, tighten or loosen as required to achieve the correct shank angle.

- Refer to the diagram below to see the install locations of the tip, and other hardware.
- Fasten the opener to the shank and torque the bolts to 25 ft-lbs. After 4 hours of use it is recommended that you ensure all bolts are still tight and re-torque the bolts to 25 ft-lbs. This should prepare you for the season.
- Dutch lock nuts have been provided for the shank bolts which have a stainless steel insert as opposed to the synthetic insert found in common lock nuts. This will help keep your hardware in place through any condition longer and better than a standard lock nut.

\*\*\* VERY IMPORTANT \*\*\*

- It is critical for the opener to be oriented at the proper angle to ensure the best seed placement and longevity of the opener. The opener has been designed based on the factory recommended angle as shown in your owner's manual.
- To set the angle correctly, the seed shank must be vertical ( $\pm 2$  degrees is acceptable) with the drill sitting level and the openers and packers off the ground. To adjust the angle, loosen jam nuts A (Figure 1) then turn nuts B and C equal amounts (so the trip force doesn't change) until the seed shank is vertical. Looking at Figures 2 and 3, it is evident why the angle is so critical. When the lower end of the seed tube is angled back (Figure 2), the seed placement will be compromised and more soil throw will occur. If the opener is running heel down as shown in Figure 3, premature wear and plugging may occur. Using the opener with it at the wrong angle will void opener warranty.

REFERENCE IMAGES

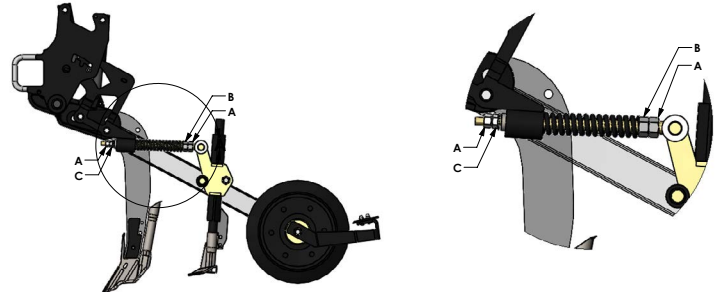


FIGURE 1

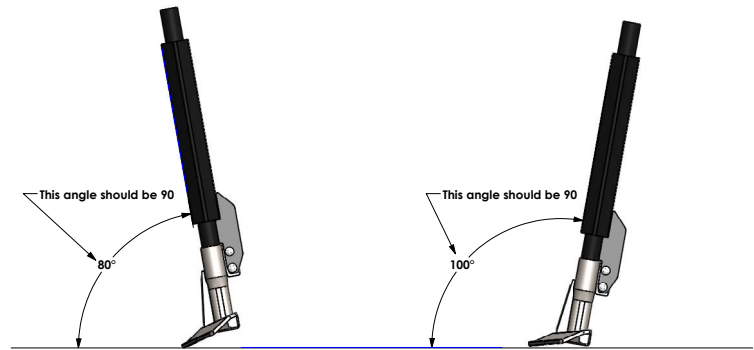
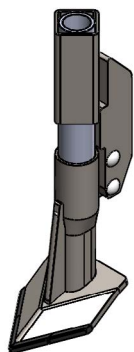


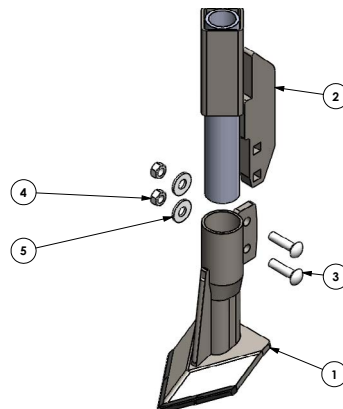
FIGURE 2

FIGURE 3

ASSEMBLED VIEW



EXPLODED VIEW



PART LIST

ITEM	QTY	PART #	PRODUCT
1	1	2325	JD Conservapak Paired Row Seed Body
2	1		JD Conservapak Seed Shank / Tyne
3	2	CB516114PLC8	Carriage Bolt, 5/16 X 1 1/4 GR8
4	2	111027	Dutch Lock Nut, 5/16
5	2	FW516PL	Flat Washer, 5/16

This information is made available to the public by Dutch Openers solely as a guide for the installation of openers. Dutch Openers Ltd. assumes no legal liability or responsibility for the accuracy, completeness, or usefulness of any information contained in this document and as a result holds no legal liability or responsibility for damages or losses resulting from the use of this information. Dutch Openers reserves the right to change and improve its products as seen fit. This information describes the condition of this product at the time of its printing and may not reflect the product at all times in the future.