

INSTALLATION

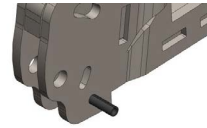
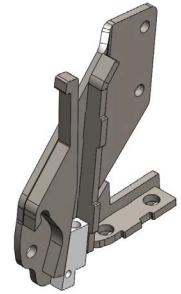
LIQUID/NH3 KIT INSTALLATION

- Refer to the diagram below to see the install locations of the tip, fertilizer kit, sealer plate and other hardware.
- To make installation quicker and easier, assemble the entire opener before installing on the shank. Install the tip as per its orientation on the diagram.
- If the optional liquid/anhydrous ammonia kit is being installed, refer to the instructions on the right hand side of this page. The bottom tip of the anhydrous tube must sit at least 1/4" below the bottom of the opener.
- Use an impact wrench if possible to tighten the shank bolts during the initial install and torque them to 45 ft-lb. After 4 hours of use it is recommended that you ensure all bolts are still tight and re-torque to 45 ft-lb. This should prepare you for the season.

** HELPFUL HINT **

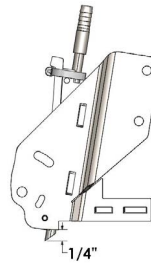
- When running sideband openers, you will require an equal number of left and right openers, unless your machine is equipped with an odd number of shanks. Left openers should be installed on the right side of the drill and right openers should be installed on the left side of the drill. This will ensure our drill runs true and prevent plugging while the drill is turning.

1) Insert insulator block into the bottom of the body with the cross-hole aligned to the hole in the body.



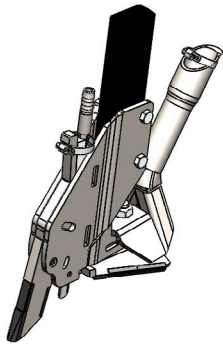
2) Tap roll-pin (supplied) through the body, securing the lower insulator.

3) Slide the remaining insulator onto the tube as shown until the distance from the bottom of the insulator to the bottom end of the tube is 5".
Tip: Warming the insulators will help aid the installation of the tube.

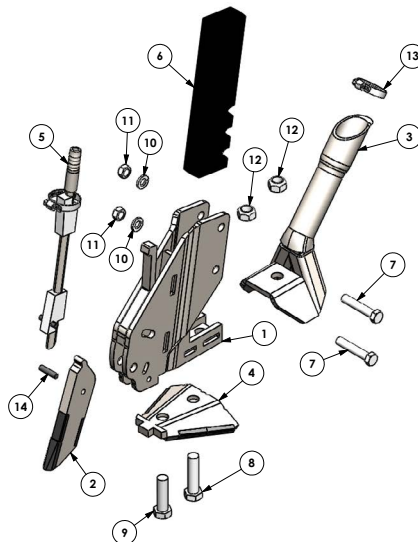


4) Insert the tube-insulator assembly through the body until the tube reaches the bottom insulator. Make sure the tube has started going through the bottom insulator and then tap the tube with a hammer until the bottom of the tube protrudes out the bottom of the opener 1/4". Tighten hose clamp around tube as shown.

ASSEMBLED VIEW



EXPLODED VIEW



PART LIST

ITEM	QTY	PART #	PRODUCT
1	1		Precision Edge Bourgault Paralink Body
2	1		Precision Edge Tip / Point
3	1		Precision Seed Tube
4	1		Precision Sealer Plate
5	1		Precision Edge NH3 Kit
6	1		Bourgault PHD Shank
7	2	HH382PLC8	Hex Bolt, 3/8 X 2 GR8
8	1	HH122PLC5	Hex Bolt, 1/2 x 2 GR5
9	1	HH12134PLC5	Hex Bolt, 1/2 x 1 3/4 GR5
10	2	LW38PL	Lock Washer, 3/8
11	2	CN38PL	Cleave Nut, 3/8
12	2	CN12PL	Cleave Nut, 1/2
13	1	HC114	#20 Hose Clamp, 1/2 - 1 1/2
14	1	RP141	Roll Pin

This information is made available to the public by Dutch Openers solely as a guide for the installation of openers. Dutch Openers Ltd. assumes no legal liability or responsibility for the accuracy, completeness, or usefulness of any information contained in this document and as a result holds no legal liability or responsibility for damages or losses resulting from the use of this information. Dutch Openers reserves the right to change and improve its products as seen fit. This information describes the condition of this product at the time of its printing and may not reflect the product at all times in the future.