

INSTALLATION

- Refer to the diagram below to see the install locations of the tip, fertilizer tube, sealer plate and other hardware.
- If the optional anhydrous ammonia kit is being installed, the bottom tip of the anhydrous tube must sit 1/4" below the bottom of the opener.
- To make installation quicker and easier, assemble the entire opener before installing on the shank. Install the tip as per its orientation on the diagram and with the writing upright.
- Use an impact if possible to tighten the shank bolts during the initial install and torque them to 120 ft-lb. After 4 hours of use it is recommended that you ensure all bolts are still tight and re-torque to 120 ft-lb. This should prepare you for the season.

**** HELPFUL HINT ****

- When running sideband openers, you will require an equal number of left and right openers, unless your machine is equipped with an odd number of shanks. Left openers should be installed on the right side of the drill and right openers should be installed on the left side of the drill. This will ensure our drill runs true and prevent plugging while the drill is turning.

CONTACT DETAILS

HEAD OFFICE

Dutch Openers
P.O. Box 568-500 Portico Drive
Pilot Butte, SK Canada S0G 3Z0
sales@dutchopeners.com

1.800.663.8824
1.800.66.DUTCH
1.306.781.4820
Fax 306.781.4877



CANADIAN
TERRITORY MANAGERS

Northern Alberta
A.J. Dumais
Cell 780.632.1919
ajdumais@dutchopeners.com

Southern Alberta
Terence Peatman
Cell 403.501.1998
tpeatman@dutchopeners.com

Northern Saskatchewan
& Northern Manitoba
Wayne Nickel
Cell 306.921.7715
wnickel@dutchopeners.com

Southern Saskatchewan
& Southern Manitoba
Jason Steinley
Cell 306.551.7171
jsteinley@dutchopeners.com

USA AND AUSTRALIA
TERRITORY MANAGERS

USA Eastern
Tom Wible – ND, SD, MT
Cell 605.360.4385
twible@dutchopeners.com

USA Western
Terence Peatman – WA, OR, ID
Cell 403.501.1998
tpeatman@dutchopeners.com

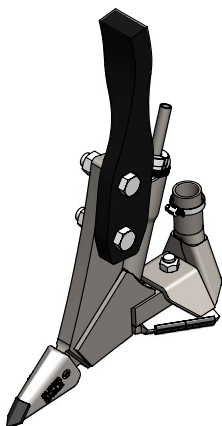
Australia
Rogan Milatz
AU 0459 121 807
rmilatz@dutchopeners.com

AUSTRALIA DISTRIBUTOR

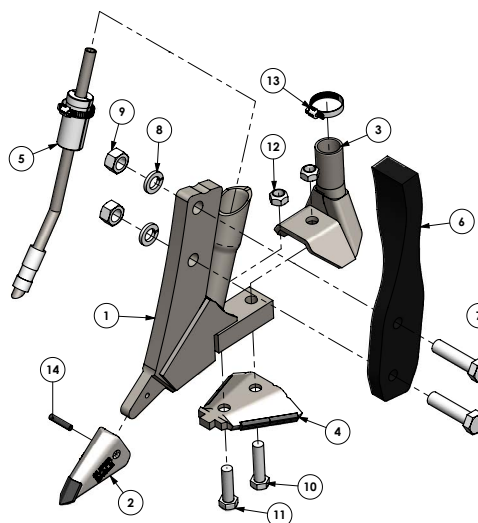
Beulah Machinery
AU 02 6341 3270
dutch@beulahmachinery.com.au

USA AND AUSTRALIA ORDERS
sales@dutchopeners.com
Canadian Office 1.306.781.4820

ASSEMBLED VIEW



EXPLODED VIEW



PART LIST

ITEM	QTY	PART #	PRODUCT
1	1		Precision Body
2	1		Precision Tip / Point
3	1		Precision Seed Tube
4	1		Precision Sealer Plate
5	1		Precision NH3 Tube Kit
6	1		84° Edge-On Shank / Tyne
7	2	HH58212PLC8	Hex Bolt, 5/8 X 2 1/2 GR8
8	2	LW58PL	Dutch Lock Washer, 5/8
9	2	HN58PLC5	Hex Nut, 5/8
10	1	HH122PLC5	Hex Bolt, 1/2 x 2
11	1	HH12134PLC5	Hex Bolt, 1/2 x 1 3/4
12	2	CN12PL	Cleave Nut, 1/2
13	1	HC114	#20 Hose Clamp, 1/2 - 1 1/2
14	1	RP14114	Roll Pin

This information is made available to the public by Dutch Openers solely as a guide for the installation of openers. Dutch Openers Ltd. assumes no legal liability or responsibility for the accuracy, completeness, or usefulness of any information contained in this document and as a result holds no legal liability or responsibility for damages or losses resulting from the use of this information. Dutch Openers reserves the right to change and improve its products as seen fit. This information describes the condition of this product at the time of its printing and may not reflect the product at all times in the future.