



Seed Hawk Heavy Duty (HD) Series Opener Installation Sheet

SHHD-1 / June 27, 2022

INSTALLATION

It is recommended to pre-assemble all components onto the body before installing it on the shank. This will make assembly quicker and easier.

- Refer to the diagram below to see the install locations of the tip, tube, and other hardware
- Install the tip as per the orientation on the diagram
- Use an impact wrench if possible to tighten the shank bolts during the initial install. On the fertilizer shank, torque the 7/16" bolts to 60 ft-lbs, the 3/8" bolts for the tube to 45 ft-lbs and the 3/8" bolt for the tip to 30 ft-lbs. On the seed shank, torque the 3/8" bolts for both the shank and tube to 45 ft-lbs. After 4 hours of use it is recommended that you ensure all bolts are still tight and re-torqued. This should prepare you for the season.

CONTACT DETAILS

HEAD OFFICE

Dutch Openers
P.O. Box 568-500 Portico Drive
Pilot Butte, SK Canada S0G 3Z0
sales@dutchopeners.com

1.800.663.8824
1.800.66.DUTCH
1.306.781.4820
Fax 306.781.4877



CANADIAN AGRICULTURAL TERRITORY MANAGERS

Northern Alberta & British Columbia
Chris Lupul
Cell 780.632.1919
clupul@dutchopeners.com

Southern Alberta
Terence Peatman
Cell 403.501.1998
tpeatman@dutchopeners.com

Northern Saskatchewan & Northern Manitoba
Connor Bohachewski
Cell 306.921.7715
cbohachewski@dutchopeners.com

Southern Saskatchewan & Southern Manitoba
Andrew Sanderson
Cell 306.551.7171
asanderson@dutchopeners.com

USA AGRICULTURAL TERRITORY MANAGERS

USA Eastern
Tom Wible (ND, SD, MT, NE, MN, WI)
Cell 605.360.4385
twible@dutchopeners.com

USA Western
Terence Peatman (WA, OR, ID)
Cell 403.501.1998
tpeatman@dutchopeners.com

AUSTRALIA DISTRIBUTOR

Beulah Machinery
AU 02 6341 3270
dutch@beulahmachinery.com.au
www.beulahmachinery.com.au

FRANCE DEALER

Kiwi Agronomy SAS
FR +33 (0)6.2.76.69.06
kiwiagronomy@gmail.com
www.kiwiagronomy.fr/shop

UK DEALERS

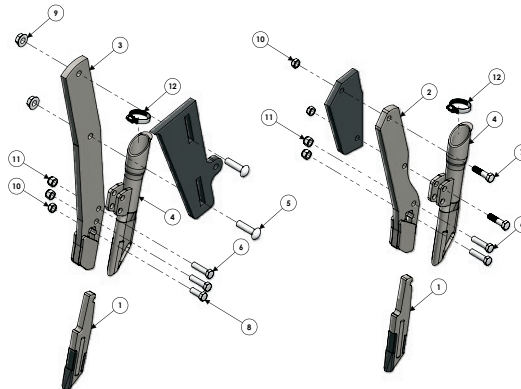
Pan Anglia Ltd.
UK 01787 242740
sales@pananglia.com
www.pananglia.com

Spaldings Ltd.
UK 01522 500600
agsales@spaldings.co.uk
www.spaldings.co.uk

ASSEMBLED VIEW



EXPLODED VIEW



PART LIST

ITEM NO.	PART NUMBER	DESCRIPTION	QTY.
1	FW716PL	FLAT WASHER, 7/16	2
2	CN716PL	CLEAVE NUT, 7/16	2
3	CN38PL	CLEAVE NUT, 3/8	3
4	HC114	#20 Hose Clamp	2
5	5520	SH FERTILIZER BODY	1
6	5500	SH TANG NARROW TIP	2
7	5522	SH STD REPLACEABLE GRANULAR TUBE	2
8	CB716134PLC8	CARRIAGE BOLT, 7/16 x 1 3/4, Grade 8	2
9	HH38112PLC8	HEX BOLT, 3/8 x 1 1/2, GRADE 8	6
10	HH381PLC5	HEX BOLT, 3/8 x 1	1
11	LN38C	LOCK NUT, 3/8	4
12	5510	SH SEED BODY	1

This information is made available to the public by Dutch Openers solely as a guide for the installation of openers. Dutch Openers Ltd. assumes no legal liability or responsibility for the accuracy, completeness, or usefulness of any information contained in this document and as a result holds no legal liability or responsibility for damages or losses resulting from the use of this information. Dutch Openers reserves the right to change and improve its products as seen fit. This information describes the condition of this product at the time of its printing and may not reflect the product at all times in the future.