

INSTALLATION

It is recommended to pre-assemble all components onto the body before installing it on the shank. This will make assembly quicker and easier.

- Refer to Figure 1 for mounting location of openers and spacers for the paired row configuration. To convert from the single side band configuration to paired row, remove nut (B), pull out bolt (A) and move the spacer (D) to the opposite side of the fertilizer shank (C). Reinstall bolt (A) and nut (B), and torque to 180 ft-lbs. In addition, note that the seed opener is mounted on the opposite side of the shank compared to a single side band opener. After installation, make sure the point of the seed and fertilizer openers are in line with each other and centered on the packer tire.
- Install the fertilizer tip (3) as per the orientation on the diagram.
- To fasten the seed tip to the body, torque the 5/16" bolts to 25 ft-lbs and the 1/2" bolt to 75 ft-lbs. Use an impact wrench if possible to tighten the shank bolts during the initial install. Torque the 7/16" bolts for the fertilizer shank to 60 ft-lbs and torque the 3/8" bolts for the seed shank to 44 ft-lbs. After 4 hours of use it is recommended that you ensure all bolts are still tight and re-torqued. This should prepare you for the season.

REFERENCE IMAGE

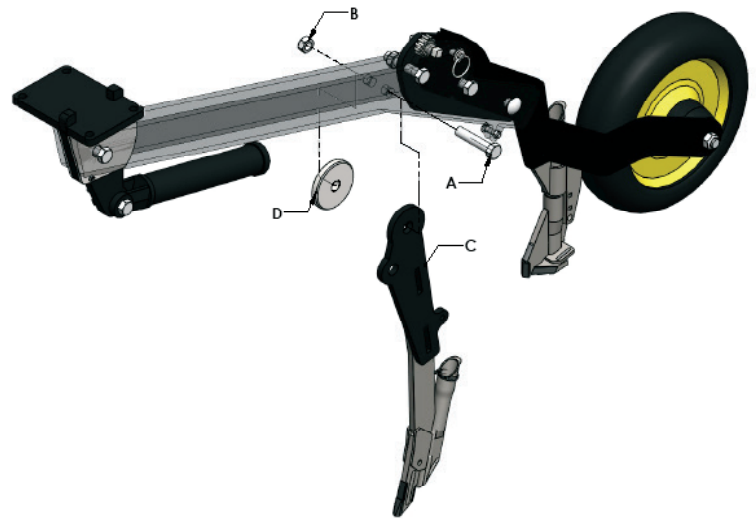
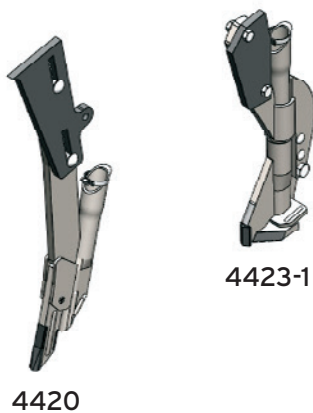
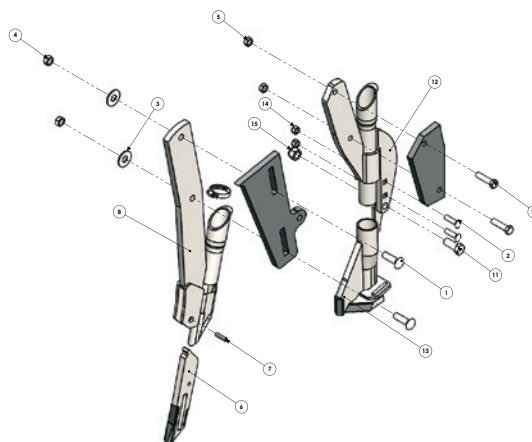


FIGURE 1

ASSEMBLED VIEW



EXPLODED VIEW



PART LIST

ITEM NO.	PART NUMBER	DESCRIPTION	QTY.
1	CB716112PL	CARRIAGE BOLT, 7/16 x 1 1/2	2
2	CB5161PL	CARRIAGE BOLT, 5/16 x 1 1/4	2
3	FW716PL	FLAT WASHER, 7/16	2
4	CN716PL	CLEAVE NUT, 7/16	2
5	CN38PL	CLEAVE NUT, 3/8	2
6	4400	1/2" NARROW TIP-3 1/2"	1
7	RP141	ROLL PIN, 1/4 x 1	1
8	4420	SEEDH. NARROW KNIFE SNG SHOOT FR	1
9	HC114	#20 Hose Clamp	1
10	HH38112PLC8	HEX BOLT, 3/8 x 1 1/2, GRADE 8	2
11	HH12114PLC5	HEX BOLT, 1/2 x 1 1/4	1
12	4475	SeedHawk PSI Body	1
13	4423-1	SeedHawk PR Tip	1
14	LN516C	LOCK NUT, 5/16	2
15	LN12C	LOCK NUT, 1/2	1

This information is made available to the public by Dutch Openers solely as a guide for the installation of openers. Dutch Openers Ltd. assumes no legal liability or responsibility for the accuracy, completeness, or usefulness of any information contained in this document and as a result holds no legal liability or responsibility for damages or losses resulting from the use of this information. Dutch Openers reserves the right to change and improve its products as seen fit. This information describes the condition of this product at the time of its printing and may not reflect the product at all times in the future.